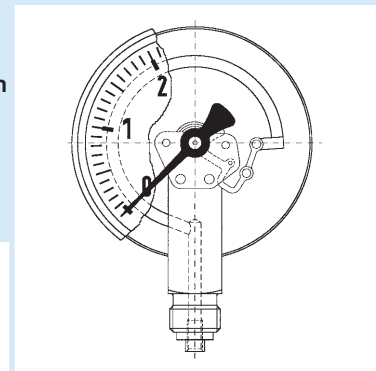
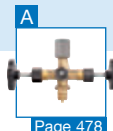


# Glycerine filled Bourdon tube pressure gauges

EN 837-1



- Robust stainless steel housing
- Can be used in case of heavy vibrations and high, dynamic pressure loads
- Longer service life due to less wear and corrosion protection of the measuring system
- No steaming up of the inside of the window in case of outdoor applications.
- DNV-certified



**Application** For gaseous and liquid media which are not highly viscous, do not crystallise and do not attack copper alloys. For measurements in areas with high vibration levels and high, dynamic pressure loads. ! For measuring gas or vapour, these gauges must be used in accordance with the table "Selection Criteria as per EN 837-2" (see appendix)!

## Technical specifications

**Type**  
D 7

**Nominal size**  
80 – 100

**Accuracy class (EN 837-1/6)**  
1.6

**Ranges (EN 837-1/5)**  
-1/0 to -1/+15 bar  
0/1 to 0/400 bar

**Application area**  
Static load:  $\frac{3}{4}$  x full scale value  
Dynamic load:  $\frac{2}{5}$  x full scale value  
Short-term: full scale value

## Standard version

**Connection**  
Brass, bottom NG 80-100 G $\frac{1}{2}$ B – spanner size SW 22  
Brass, centre back NG 80 G $\frac{1}{4}$ B – spanner size SW 14  
NG 100 G $\frac{1}{2}$ B – spanner size SW 22  
(EN 837-1/7.3)

**Measuring element**  
Bourdon tube, copper alloy  
 $\leq$  60 bar "C" type tube  
 $>$  60 bar helical tube

**Movement**  
Brass

**Dial**  
Aluminium, white  
Dial marking, black

## Operating temperature range

Medium:  $T_{\max} = +60\text{ }^{\circ}\text{C}$   
Ambient:  $T_{\min} = -20\text{ }^{\circ}\text{C}$   
 $T_{\max} = +60\text{ }^{\circ}\text{C}$

## Temperature performance

Indication error when the temperature of the measuring system deviates from the normal temperature of 20 °C:  
rising temperature approx.  $\pm 0.4\%$ /10 K  
falling temperature approx.  $\pm 0.4\%$ /10 K  
of full scale value

## Degree of protection

IP 65 (EN 60529)  
with housing vent ( $\leq$  25 bar)  
IP 54

## Pointer

Aluminium, black

## Housing

Stainless steel 304 with blow-out

## Crimped bezel

Stainless steel 304

## Window

Plastic (Makrolon)

## Filling liquid

Glycerine (99.5 %)

## Options

- Filling liquid silicone oil
- Clamp fixing
- 3-hole fixing, panel mounting bezel (NG 100)
- Crimped bezel polished
- Measuring system stainless steel (up to 1000 bar)
- Special scales
- Damping screw
- Other process connections

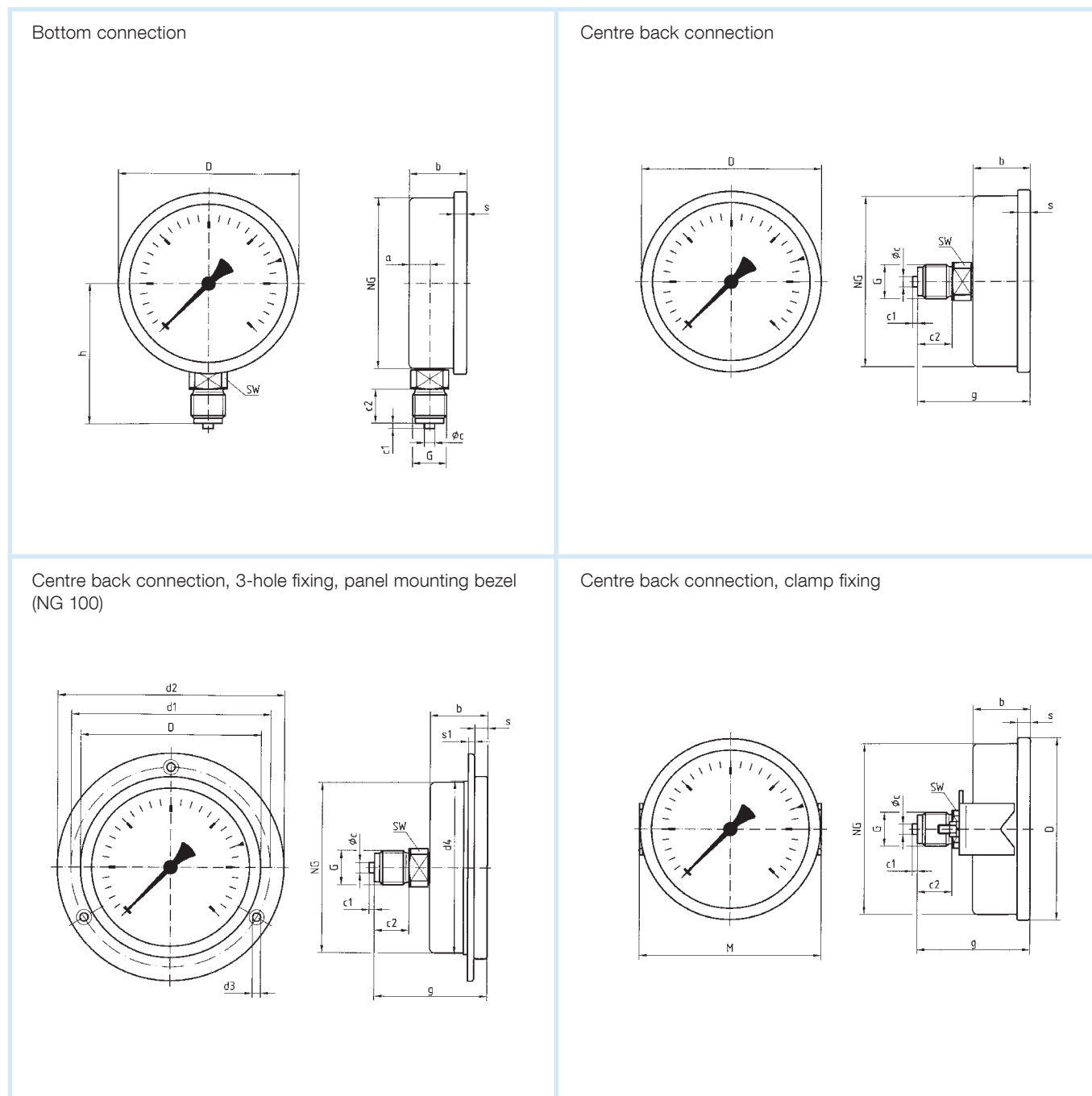


See page 371 for prices.

# Glycerine filled Bourdon tube pressure gauges

Type D 7 – NG 80/100

## Housing types and dimensions



### Dimensions (mm)

Nominal size (NG)	a	b	$\phi_c$	c1	c2	d1*	d2	d3*	d4	D	g	G	h	M	s	s1	SW
80 Ms ax	-	33.5	5	2	13	-	-	-	-	85	56.5	G $\frac{1}{4}$ B	-	82	7	-	14
80 VA ax	-	33.5	5	2	13	-	-	-	-	85	59	G $\frac{1}{4}$ B	-	82	7	-	14
80 Ms rad	12.2	33.5	6	3	20	-	-	-	-	85	-	G $\frac{1}{2}$ B	71	-	7	-	22
80 VA rad	12.2	33.5	6	3	20	-	-	-	-	85	-	G $\frac{1}{2}$ B	79.5	-	7	-	22
100 Ms	12.2	33.5	6	3	20	116	132	4.8	101	106	65.5	G $\frac{1}{2}$ B	81	106	7	3.8	22
100 VA	11.8	33.5	6	3	20	116	132	4.8	101	106	76.5	G $\frac{1}{2}$ B	90	106	7	3.8	22

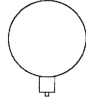
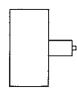
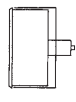
\* Dimensions as per DIN 16064.

# Glycerine filled Bourdon tube pressure gauges

EN 837-1

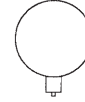
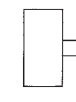
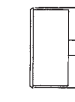
DG: M

## Measuring system copper alloy

Type	RF80Gly, D701	RF80Gly, D711	RF80Gly, D751
Version			
Housing Ø	80	80	80
Housing	Stainless steel 304 with crimped bezel 304, plastic window		
Measuring element	Bourdon tube, copper alloy		
Accuracy class	1.6	1.6	1.6
Connection	G½B	G¼B	G¼B
			Clamp fixing
Range (bar)	Part no.	Part no.	Part no.
<b>Price €</b>			
-1/0	85151701	85151711	85151751
-1/+0.6	85152701	85152711	85152751
-1/+1.5	85153701	85153711	85153751
-1/+3	85154701	85154711	85154751
-1/+5	85155701	85155711	85155751
-1/+9	85156701	85156711	85156751
-1/+15	85157701	85157711	85157751
<b>Price €</b>			
0/1	85160701	85160711	85160751
0/1.6	85161701	85161711	85161751
0/2.5	85162701	85162711	85162751
0/4	85163701	85163711	85163751
0/6	85164701	85164711	85164751
0/10	85165701	85165711	85165751
0/16	85166701	85166711	85166751
0/25	85167701	85167711	85167751
0/40	85168701	85168711	85168751
<b>Price €</b>			
0/60	85169701	85169711	85169751
0/100	85170701	85170711	85170751
0/160	85171701	85171711	85171751
0/250	85172701	85172711	85172751
0/400	85173701	85173711	85173751
<b>Price €</b>			
0/600	---	---	---
0/1000	---	---	---
<b>Extra charges</b>			
Class 1.0	---	---	---

Minimum order quantity = 10 pieces.

## Measuring system stainless steel

Type	RF80EGly, D702	RF80EGly, D712	RF80EGly, D752
Version			
Housing Ø	80	80	80
Housing	Stainless steel 304 with crimped bezel 304, plastic window		
Measuring element	Bourdon tube, stainless steel 316 Ti/316 L		
Accuracy class	1.6	1.6	1.6
Connection	G½B	G¼B	G¼B
			Clamp fixing
Range (bar)	Part no.	Part no.	Part no.
<b>Price €</b>			
-1/0	85151702	85151712	85151752
-1/+0.6	85152702	85152712	85152752
-1/+1.5	85153702	85153712	85153752
-1/+3	85154702	85154712	85154752
-1/+5	85155702	85155712	85155752
-1/+9	85156702	85156712	85156752
-1/+15	85157702	85157712	85157752
<b>Price €</b>			
0/1	85160702	85160712	85160752
0/1.6	85161702	85161712	85161752
0/2.5	85162702	85162712	85162752
0/4	85163702	85163712	85163752
0/6	85164702	85164712	85164752
0/10	85165702	85165712	85165752
0/16	85166702	85166712	85166752
0/25	85167702	85167712	85167752
0/40	85168702	85168712	85168752
<b>Price €</b>			
0/60	85169702	85169712	85169752
0/100	85170702	85170712	85170752
0/160	85171702	85171712	85171752
0/250	85172702	85172712	85172752
0/400	85173702	85173712	85173752
<b>Price €</b>			
0/600	85174702	85174712	85174752
0/1000	85175702	85175712	85175752
<b>Price €</b>			
<b>Price €</b>	<b>Price €</b>	<b>Price €</b>	<b>Price €</b>

10



See page 396 for extra charges.

# Glycerine filled Bourdon tube pressure gauges

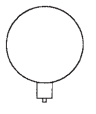
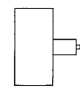
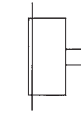
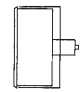
EN 837-1

DG: M

## Measuring system copper alloy

Type	RF100Gly, D701	RF100Gly, D711	RF100Gly, D731	RF100Gly, D751
Version				
Housing Ø	100	100	100	100
Housing	Stainless steel 304 with crimped bezel 304, plastic window			
Measuring element	Bourdon tube, copper alloy			
Accuracy class	1.6	1.6	1.6	1.6
Connection	G½B	G½B	G½B	G½B
			3-hole fixing, panel mounting bezel, stainless steel	Clamp fixing
Range (bar)	Part no.	Part no.	Part no.	Part no.
<b>Price €</b>				
-1/0	<b>85201701</b>	85201711	85201731	85201751
-1/+0.6	85202701	85202711	85202731	85202751
-1/+1.5	85203701	85203711	85203731	85203751
-1/+3	85204701	85204711	85204731	85204751
-1/+5	85205701	85205711	85205731	85205751
-1/+9	85206701	85206711	85206731	85206751
-1/+15	85207701	85207711	85207731	85207751
<b>Price €</b>				
0/1	<b>85210701</b>	85210711	85210731	85210751
0/1.6	<b>85211701</b>	85211711	85211731	85211751
0/2.5	<b>85212701</b>	85212711	85212731	85212751
0/4	<b>85213701</b>	85213711	85213731	85213751
0/6	<b>85214701</b>	85214711	85214731	85214751
0/10	<b>85215701</b>	85215711	85215731	85215751
0/16	<b>85216701</b>	85216711	85216731	85216751
0/25	<b>85217701</b>	85217711	85217731	85217751
0/40	<b>85218701</b>	85218711	85218731	85218751
<b>Price €</b>				
0/60	<b>85219701</b>	85219711	85219731	85219751
0/100	<b>85220701</b>	85220711	85220731	85220751
0/160	<b>85221701</b>	85221711	85221731	85221751
0/250	<b>85222701</b>	85222711	85222731	85222751
0/400	<b>85223701</b>	85223711	85223731	85223751
<b>Price €</b>				
0/600	---	---	---	---
0/1000	---	---	---	---
<b>Extra charges</b>				
Class 1.0	---	---	---	---

## Measuring system stainless steel

Type	RF100EGly, D702	RF100EGly, D712	RF100EGly, D732	RF100EGly, D752
Version				
Housing Ø	100	100	100	100
Housing	Stainless steel 304 with crimped bezel 304, plastic window			
Measuring element	Bourdon tube, stainless steel 316 Ti/316 L			
Accuracy class	1.6	1.6	1.6	1.6
Connection	G½B	G½B	G½B	G½B
			3-hole fixing, panel mounting bezel, stainless steel	Clamp fixing
Range (bar)	Part no.	Part no.	Part no.	Part no.
<b>Price €</b>				
-1/0	85201702	85201712	85201732	85201752
-1/+0.6	85202702	85202712	85202732	85202752
-1/+1.5	85203702	85203712	85203732	85203752
-1/+3	85204702	85204712	85204732	85204752
-1/+5	85205702	85205712	85205732	85205752
-1/+9	85206702	85206712	85206732	85206752
-1/+15	85207702	85207712	85207732	85207752
<b>Price €</b>				
0/1	85210702	85210712	85210732	85210752
0/1.6	85211702	85211712	85211732	85211752
0/2.5	85212702	85212712	85212732	85212752
0/4	<b>85213702</b>	85213712	85213732	85213752
0/6	<b>85214702</b>	85214712	85214732	85214752
0/10	<b>85215702</b>	85215712	85215732	85215752
0/16	<b>85216702</b>	85216712	85216732	85216752
0/25	<b>85217702</b>	85217712	85217732	85217752
0/40	85218702	85218712	85218732	85218752
<b>Price €</b>				
0/60	85219702	85219712	85219732	85219752
0/100	85220702	85220712	85220732	85220752
0/160	85221702	85221712	85221732	85221752
0/250	85222702	85222712	85222732	85222752
0/400	85223702	85223712	85223732	85223752
<b>Price €</b>				
0/600	85224702	85224712	85224732	85224752
0/1000	85225702	85225712	85225732	85225752
<b>Price €</b>	<b>Price €</b>	<b>Price €</b>	<b>Price €</b>	<b>Price €</b>

Minimum order quantity for non-stock items = 10 pieces.



See page 396 for extra charges.