

Differential Pressure Gauge DG Range



Approvals:

CE PED 97/23/EC

Ex ATEX 94/9/EC

Application:

DIFFERENTIAL PRESSURE.

Chemical / Petrochemical, power station, mining, on-off shore, processing, food, pharmaceutical, nuclear power plants.
Suitable for corrosive environments and gaseous or liquid media that will not obstruct the pressure system and not crystallize.
With liquid filled case for applications with high dynamic pressure pulsations, vibrations or oxygen service.
Suitable for electronic contacts or chemical seals and accessories.

Technical features:

Design:
EN 837-1

Safety designation:
S1 as per EN 837-2

Nominal size:
100 – 150 mm (4" – 6")

Scale ranges:
NS 100 – 150 mm: 0...25 mbar to 0...25 bar
Other units or double scale on request.

Accuracy class:
NS100 – 150: 1.6 as per EN 837-1 (std.); 1 (optional)

Ambient temperature:
- 20°C ++ 60°C dry execution
- 20°C ++ 60°C silicon oil filled execution

Medium temperature:
- 30°C ++ 120°C dry execution
- 30°C ++ 120°C silicon oil filled execution

Thermal drift:
Reference temperature +20°C
Thermal drift max ±0,6%/10K

Working pressure:
Steady: full scale value
Fluctuating: 0.9 x full scale value

Static pressure:
See annex table

Protection degree (according to EN 60529 / IEC 529):

IP 55 for dry execution
IP 65 for fillable and filled execution

Diaphragm material:
Stainless steel AISI 316 Ti

Pressure connection material:
Stainless steel AISI 316 L

Differential cell material:
Stainless steel AISI 316 L

Movement:
Stainless steel

Case and ring (bayonet type):
Stainless steel 304

Window:
Glass for dry execution
Methacrylate for liquid filled and fillable executions

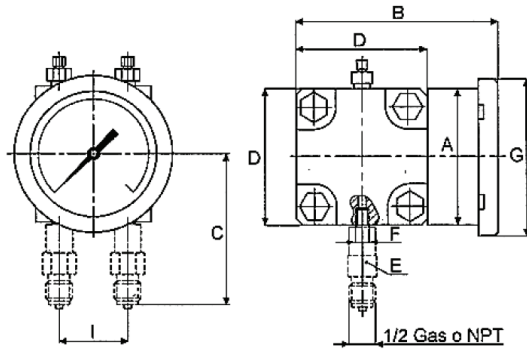
Dial:
White aluminium with black markings

Pointer:
Adjustable aluminium for IP 55 execution
Not adjustable aluminium for IP 65 execution

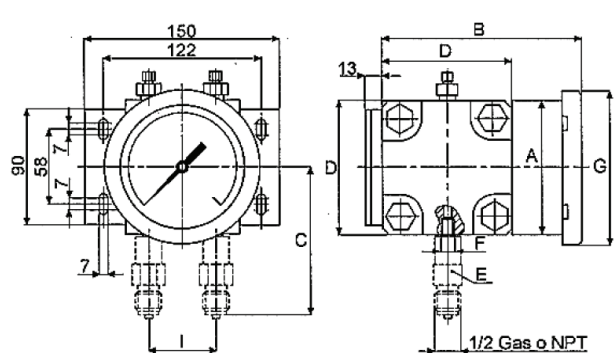
Process connection:
¼ NPT F (std.); ½ NPT M , G1/2B (optional)

Short time:
1,3 x full scale value

DIRECT MOUNTING



CLAMP MOUNTING



RANGES UP TO 100mbar																					
DN	A	B	C	D	E	F	G	I	Kg Unfil.	Kg Filled	DN	A	B	C	D	E	F	G	I	kg Unfil.	kg Filled
100	103	150	112	100	22	¼	118	54	4.6	5.0	100	103	150	112	100	22	¼	118	54	4.9	5.3
150	150	150	112	100	22	¼	166	54	4.9	5.8	150	150	150	112	100	22	¼	166	54	5.2	6.1

RANGES FROM 160mbar																					
DN	A	B	C	D	E	F	G	I	Kg Unfil.	Kg Filled	DN	A	B	C	D	E	F	G	I	kg Unfil.	kg Filled
100	103	200	137	150	22	¼	118	54	11.0	11.4	100	103	200	137	150	22	¼	118	54	11.3	11.7
150	150	200	137	150	22	¼	166	54	11.3	12.2	150	150	200	137	150	22	¼	166	54	11.6	12.5

RANGE	Standard Static pressure bar	Special static pressure bar	RANGE	Standard Static pressure bar	Special static pressure bar
0 – 25 mbar	25	100	0 – 1 bar	100	200
0 – 40 mbar	25	100	0 – 1.6 bar	100	200
0 – 60 mbar	25	100	0 – 2.5 bar	100	200
0 – 100 mbar	25	100	0 – 4 bar	100	200
0 – 160 mbar	100	200	0 – 6 bar	100	200
0 – 250 mbar	100	200	0 – 10 bar	100	200
0 – 400 mbar	100	200	0 – 16 bar	100	200
0 – 600 mbar	100	200	0 – 25 bar	100	200

Options:

Static pressure 400 bar
 3-hole panel mounting or surface mounting bracket
 2" pipe mounting clamp
 Safety glass
 Tropicalization
 Monel 400 wetted parts
 Better accuracy
 Maximum pointer
 Restrictor
 Case and ring material stainless steel 316
 Liquid filling: silicon oil, fluoride
 Tagging on dial
 Tagging on label in St. St.
 Others on request

Special version:

ATEX execution II 2GD
 NACE MR 01.75 and 01.03 (Sour Service)
 Oxygen service
 Ammonia gauges

Accessories:

Diaphragm seals
 Electronic contacts
 Adjustable overpressure device
 Valves
 Snubber
 Pigtail and siphon