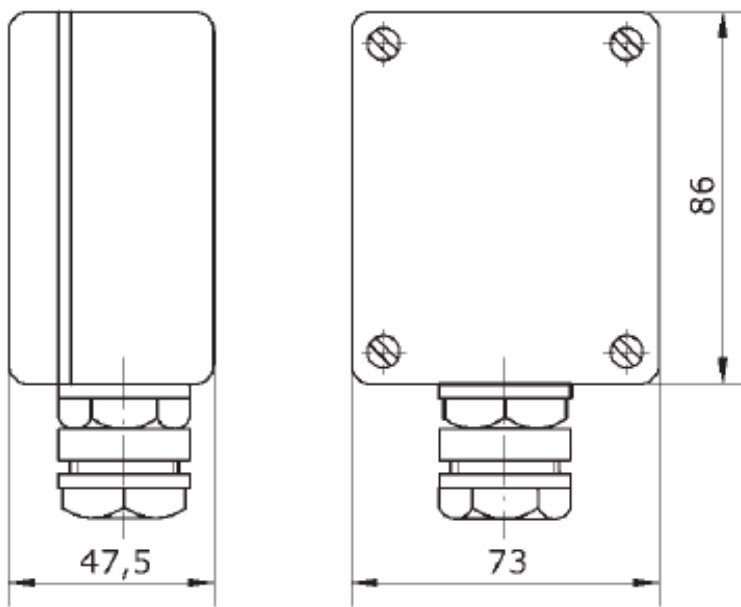


Temperature sensor type CT Z1



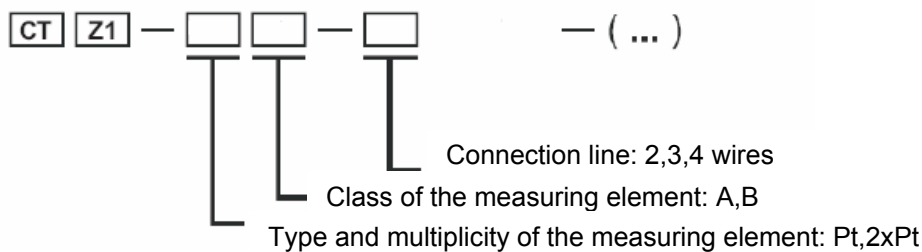
Technical data:

1. Measuring range:
Pt: -40...70 [°C]
2. Standard material of the casing.
ABS
3. Humidity area:
Max 95% RH
4. Degree of protection:
IP 54

Application:

The sensor is designed for measuring the air temperature – outside and inside premises, measuring range: -40- 70 [°C]. The sensor is put in inside casing. Optionally, customer can order temperature sensor with temperature transmitter(output 4-20mA – version AP – CT Z1)

Example of order:



Example: Temperature sensor with transmitter, measuring range 0...60°C,
Pt 100 sensor type, B class, 2 wires connection line.

AP- CT Z1 – Pt100 B – 2 – (0...60 C)