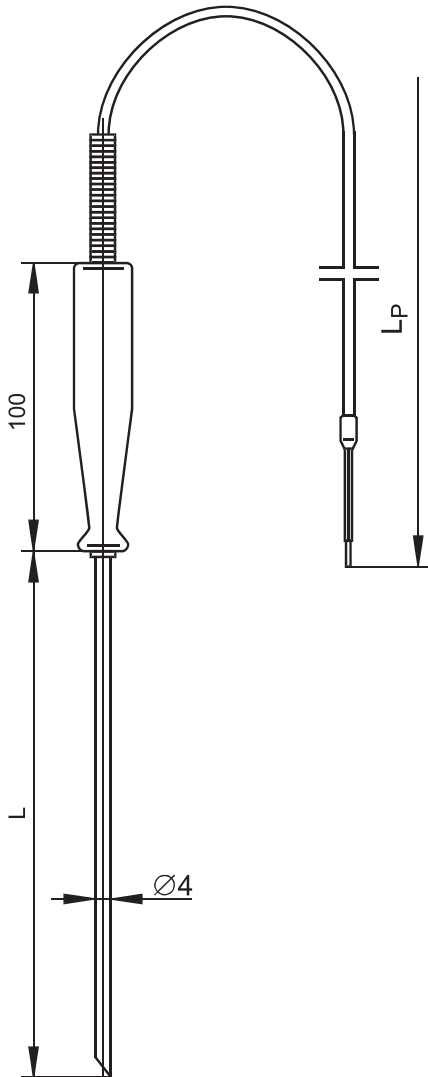


**TEMPERATURE SENSOR TYPE CT S2**



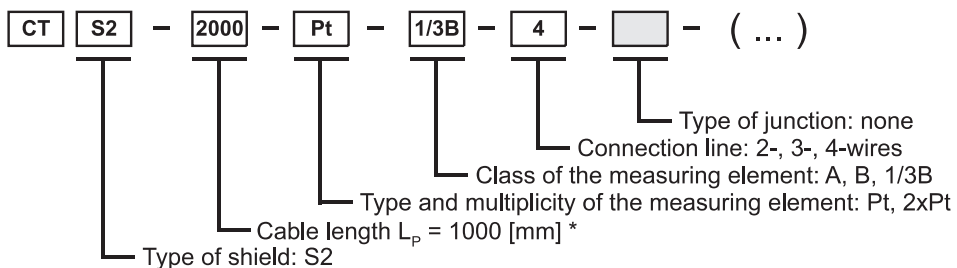
**TECHNICAL DATA:**

1. Measuring range:  
Pt: -50 ... 180 [°C]
2. Material of wetted parts:  
316Lss
3. Standard cable length / cable type:  
L=1000 [mm] (\*) / silicone isolated copper wire
4. Standard immersion length L:  
160 [mm]

**APPLICATION:**

The sensor allows the temperature measurement in food processing, especially the temperature of meat during the cooking or smoking processes. A sharp measuring end of the shield allows an easy introduction of the sensor into the probed object.

**EXAMPLE OF ORDER:**



**ADDITIONAL INFORMATION:**

- 1.\* Non-standard length of temperature sensors on demand.
2. The standard handle is made of an Stainless Steel. It is possible to perform it with bakelite or teflon on demand.