

TEMPERATURE SENSOR TYPE CT R5

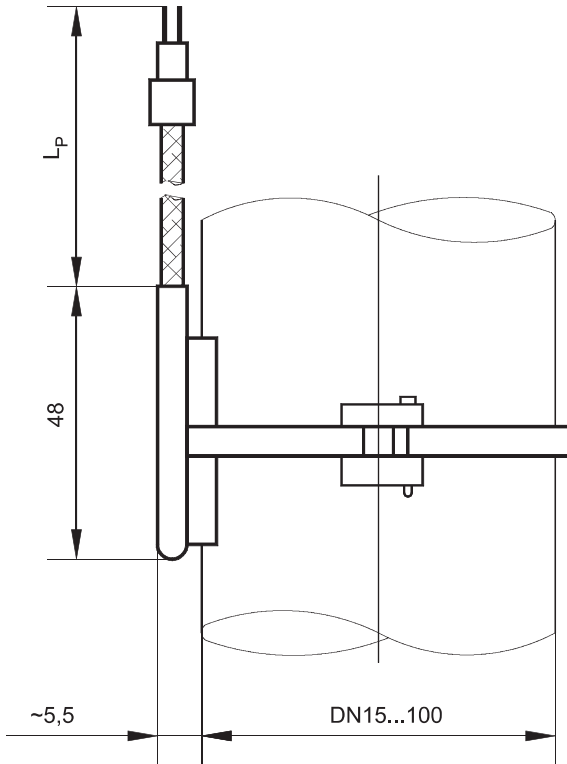
TECHNICAL DATA:

1. Measuring range:
Pt: -30 ... 150 [°C]
2. Material of wetted parts:
M64 nickel plated brass
3. Standard cable length / cable type:
 $L_p=1000$ [mm] (*) / teflon isolated copper wire
4. Time constant:

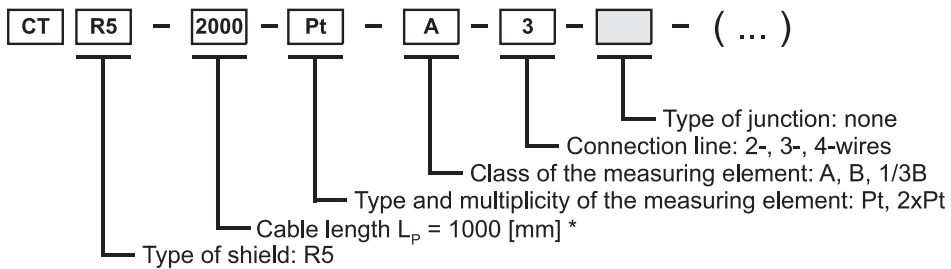
Type of sensor	dead time	$T_{0.63}$ [s]
CT R5	≤ 1	≤ 5

APPLICATION:

It is designed mainly in heat, ventilation and air condition systems. The sensor allows measurement of pipelines temperature during the flow.



EXAMPLE OF ORDER:



ADDITIONAL INFORMATION:

- 1.* Non-standard length of temperature sensors on demand.
2. The time constant depends widely on the way of mounting and the environment of the measuring site.