

## Room thermostats with housing GRT



### Benefits

- Mechanical temperature controller
- For monitoring of greenhouses
- For use in animal breeding applications
- Easy wall mounting

### Application

Mechanical room thermostat for industrial use. Due to the high degree of protection, the device can be used in humid rooms and in animal breeding applications. The room thermostats are also suitable for temperature monitoring in greenhouses.

### Description

The temperature measured at the probe causes a change in the volume of the measuring liquid. Electrical switching is triggered by the force acting.

### Technical specifications

#### Type

GRT

#### Operating range

See ordering table

#### Tolerance

±0.4 %/10 K

#### Switching differential

0/40 °C:  $\Delta T 2 \pm 1 K$

0/55 °C:  $\Delta T 3 \pm 1 K$

#### Setting

GRT/7RT: External

GRT/7HT: Internal

#### Probe

Copper, nickel-plated

#### Probe element

Liquid-filled

#### Operating temperature range

Housing: Max. 85 °C

#### Housing

Plastic (PVC), grey (RAL 7035)

#### Cable entry

Plastic (PVC), black

M16 x 1.5

#### Degree of protection

IP 54 (EN 60529)

#### Electrical switching contact

Changeover contact

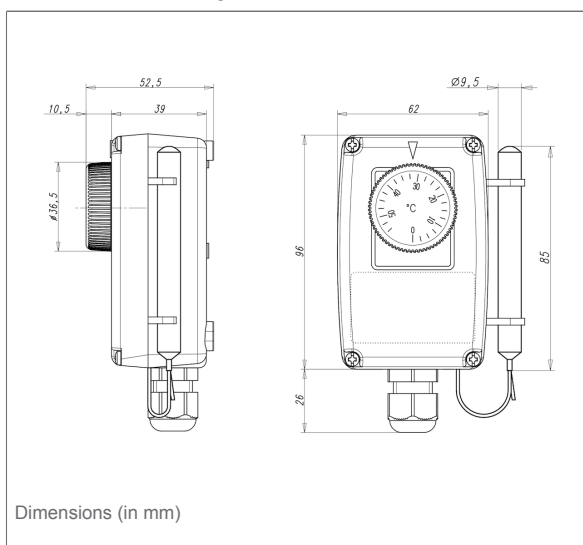
#### Contact rating

NC: AC 250 V, 16 (2.5) A

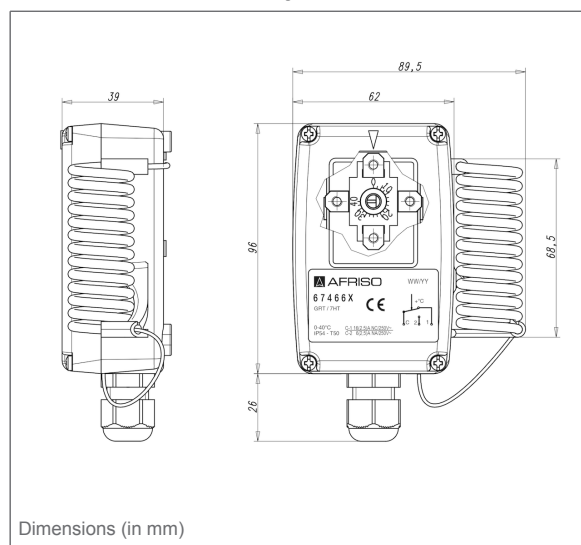
NO: AC 250 V, 6 (2.5) A

## Technical drawings

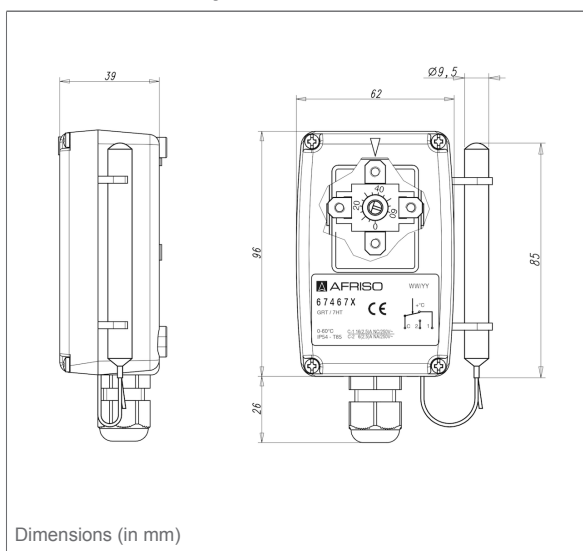
GRT/7RT, external adjustment



GRT/7HT, radial, internal adjustment



GRT/7HT, internal adjustment



## Versions

	Adjustment	Operating range	Part no.
Room thermostat with housing GRT/7RT	External	0/40 °C	67464X
Room thermostat with housing GRT/7RT	External	0/55 °C	67465X
Room thermostat with housing GRT/7HT	Internal	0/40 °C	67466X
Room thermostat with housing GRT/7HT	Internal	0/55 °C	67467X

Blue part no. = in-stock items