

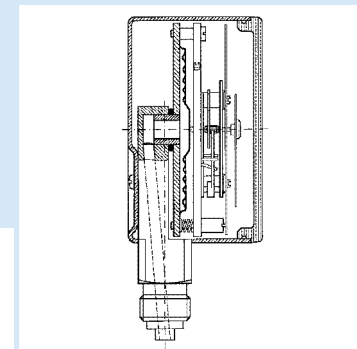
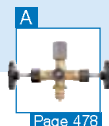
# Standard capsule pressure gauges



EN 837-3



- With zero correction
- Optional overpressure or underpressure safety 10 x FSD
- Extremely low measuring range from 0/6 mbar
- GOSSTANDART-certified



**Application** For gaseous, dry media which do not attack copper alloys.  
! For measuring gas or vapour, these gauges must be used in accordance with the table "Selection Criteria as per EN 837-2" (see appendix)!

## Technical specifications

### Type

D 4

### Nominal size

63 – 100 – 160

### Accuracy class (EN 837-3/6)

1.6

### Ranges (EN 837-3/5)

NG 63-100 0/25 to 0/1000 mbar

NG 160 0/6 to 0/1000 mbar

and all corresponding vacuum and compound ranges with overpressure protection

### Application area

Static load: full scale value

Dynamic load: 0.9 x full scale value

Overload safety: 1.3 x full scale value

### Operating temperature range

Medium:  $T_{max} = +60\text{ °C}$

Ambient:  $T_{min} = -20\text{ °C}$

$T_{max} = +60\text{ °C}$

### Temperature performance

Indication error when the temperature of the measuring system deviates from the normal temperature of  $+20\text{ °C}$ :

rising temperature approx.  $\pm 0.6\text{ %}/10\text{ K}$

falling temperature approx.  $\pm 0.6\text{ %}/10\text{ K}$

of full scale value

### Degree of protection

NG 63-80: IP 32 (EN 60529)

NG 100: IP 44 (EN 60529)

## Standard version

### Connection

Brass, bottom or centre back

NG 63 G $\frac{1}{4}$ B – spanner size SW 14

NG 100 – 160 G $\frac{1}{2}$ B – spanner size SW 22

(EN 837-3/7.3)

### Measuring element

Capsule element, CuBe alloy

### Movement

Brass

### Zero correction

From the front

### Seal

NBR (Perbunan)

### Dial

Aluminium, white

Dial marking black

### Pointer

Aluminium, black

### Housing

Stainless steel 304

### Bayonet type bezel

Stainless steel 304

### Window

Instrument glass

## Options

- Overpressure safety 10 x FSD
- Back flange
- Panel mounting bezel, with window, plastic
- 3-hole fixing, panel mounting bezel with window, plastic
- Damping screw
- Reference pointer
- Special scales
- Other process connections

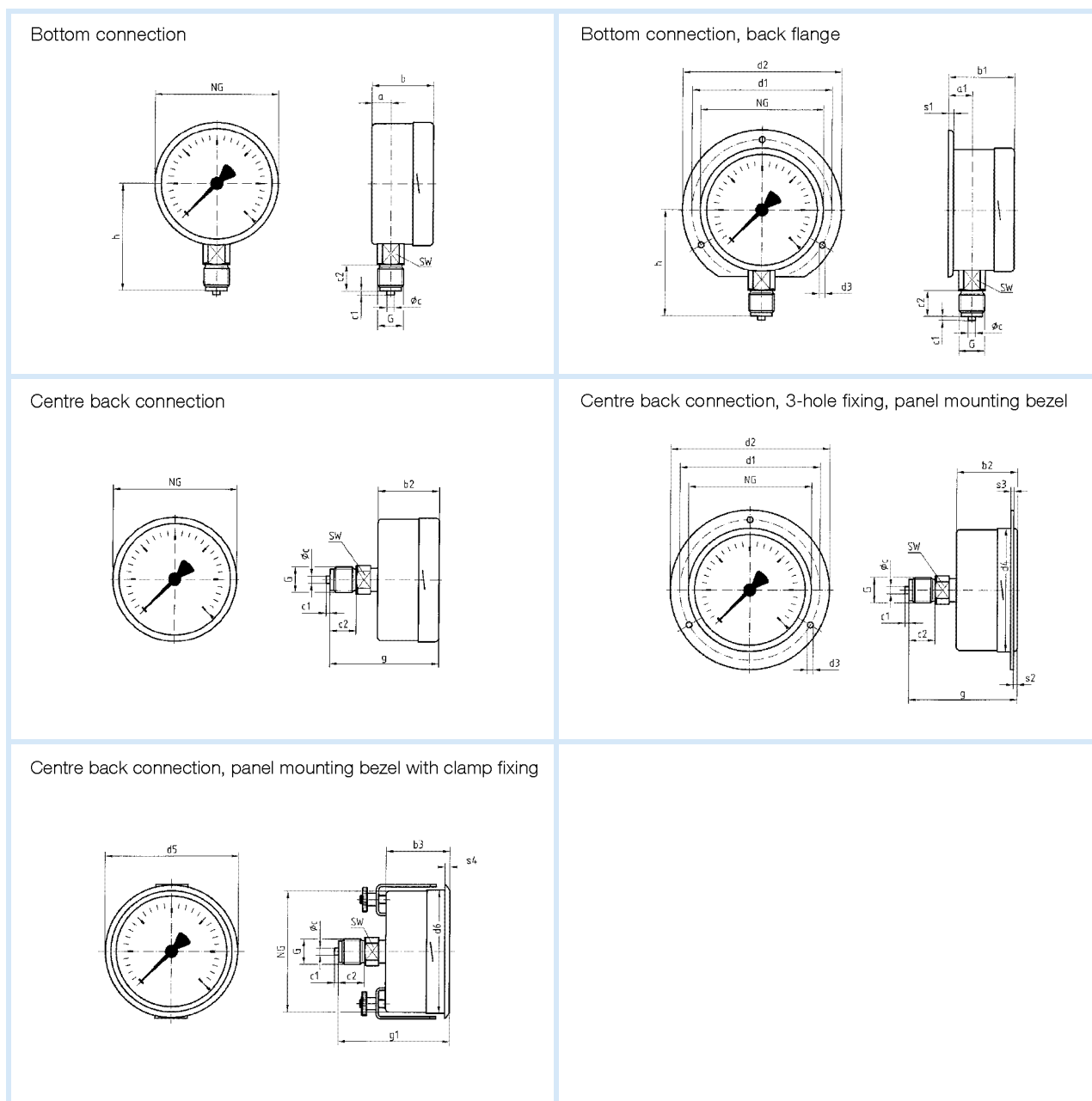


See page 326 for prices.

# Standard capsule pressure gauges

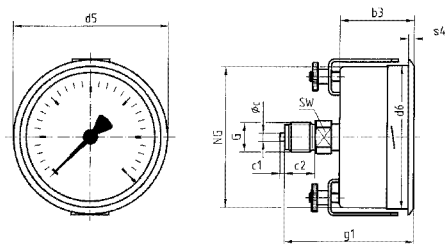
Type D 4 – NG 63/100/160

## Housing types and dimensions



10

Centre back connection, panel mounting bezel with clamp fixing



### Dimensions (mm)

Nominal size (NG)	a	a1	b	b1	b2	b3	$\phi_c$	c1	c2	d1*	d2	d3*	d4	d5	d6	G	g	g1	h	s1	s2
63	10.8	13.4	40	42.1	37	37	5	2	13	75	85	3.5	64	68	64	G $\frac{1}{4}$ B	60	60	53	5.2	3
100	15.6	19.1	49	52.5	49	49	6	3	20	116	132	4.8	104	107	101	G $\frac{1}{2}$ B	81	81	86	5.5	4
160	17.5	20.5	50	53	50	52	6	3	20	178	196	5.8	164	167	161	G $\frac{1}{2}$ B	82	84	116	6	4
Nominal size (NG)	s3	s4	SW																		
63	2	3	14																		
100	2	4	22																		
160	2	4.5	22																		

\* Dimensions for NG 100 as per DIN 16014.