

Bourdon Tube Pressure Gauge

RQS

Square case
Narrow rim

Application

Pressure measurement of liquid and gaseous media (within the resistance limits of the wetted parts; media are neither highly viscous nor crystallising), for the installation into switch panels and control panels.

Standard Version

Information on general and metrological features (e.g. load limits/temperature resistance) and standard pressure ranges/scale divisions can be found in model overview 1000.

Accuracy (DIN EN 837-1)
Class 1.0

Case
Square case with front narrow rim,
bracket for panel mounting

Degree of Protection (DIN EN 60 529/IEC 529)
IP43

Nominal Case Sizes
96 (96 x 96 mm) (3.78 x 3.78")
144 (144 x 144 mm) (5.67 x 5.67")

Wetted Parts

Type – 3: connection:	stainless steel 316L (1.4404)
Bourdon tube:	stainless steel 316L (1.4404) gas-shielded arc welding ≤40 bar c-form ≥60 bar helical form
Type – 1: connection:	brass
Bourdon tube:	≤40 bar bronze, c-form soft-soldered ≥60 bar stainless steel 316L (1.4404) helical form silver brazed

Case Configuration

Connection:	screwed
Position of the connection:	lower back connection (r)

Pressure Ranges (DIN EN 837-1)
0 – 0.6 bar to 0 – 1000 bar
also vacuum and compound ranges

Process Connection
G ½B

Window
Instrument glass

Movement
Brass/German silver

Dial
Aluminum white, scale black

Pointer
Aluminum black



Ordering Information, Standard Pressure Ranges, Options

See page 3

Special Versions and Further Options

- Connection thread ½" NPT, others upon request
- Wetted parts Monel upon request
- Other pressure ranges and/or special scales, e.g. dual scale bar/psi, coloured fields or ranges, dial inscriptions, negative scale
- Higher pressure ranges upon request
- Pressure range 0.2 – 1 bar or 3 – 15 psi
- Other than vertical installation, e.g. inclined backwards by 45°

Accessories

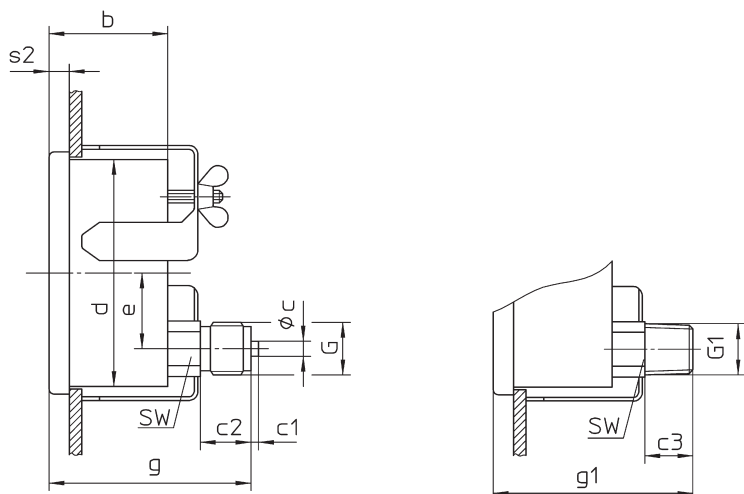
Electrical: see catalogue heading 9.1
see data sheet 1500.90

www.armano-messtechnik.com

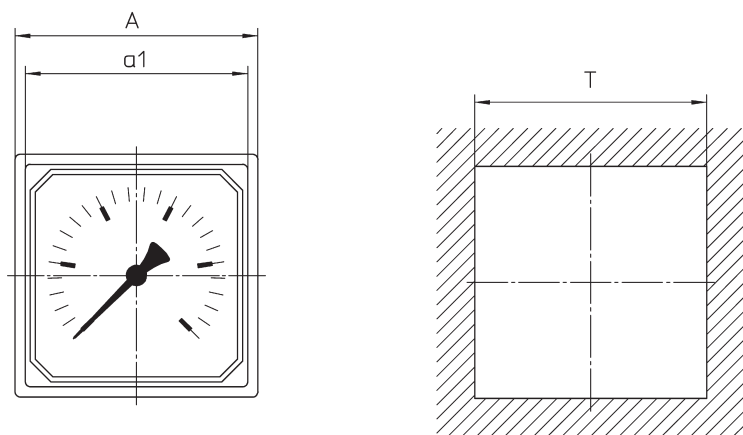
Case Configurations, Dimensional Data and Weights

Lower Back Connection

without mounting device



with u-clamp for switch panel mounting



recommended panel cut out

Dimensional Data (mm/inch) and Weights (kg/lb)

A (NCS)	a1	b	c	c1	c2	c3	d	e	G	G1	g	g1	s2 ⁺¹	SW	T	approx. weight
96	88	48					90	30	G ½ B						92	0.75
3.78	3.46	1.89	6	3	20	19	3.54	1.18	½" BSP	½" NPT	81	80	8	22	3.62	1.65
144	134	46	0.24	0.12	0.79	0.75	136	52	M20x1.5		3.19	3.15	0.31	0.87	138	1.30
5.67	5.28	1.81					5.35	2.05							5.43	2.87

Ordering Information, Options

Basic Model:		Bourdon Tube Pressure Gauge with Square Case		RQS
Case filling:	without			without code letters
Nominal case size:	96x96, 144x144 mm (3.78x3.78, 5.67x5.67")			96, 144
Wetted material:	copper alloy			- 1
	stainless steel			- 3
Pressure ranges:	-0.6 / 0 bar			
	-1 / 0 bar			
	-1 / +0.6 bar	30" hg vac.	- 15 psi	
	-1 / +1.5 bar	30" hg vac.	- 30 psi	
	-1 / +3 bar	30" hg vac.	- 60 psi	
	-1 / +5 bar	30" hg vac.	- 100 psi	
	-1 / +9 bar	30" hg vac.	- 160 psi	
	-1 / +15 bar	30" hg vac.	- 200 psi	
		30" hg vac.	- 300 psi	
	0 - 0.6 bar	0 -	10 psi	
	0 - 1 bar	0 -	15 psi	
	0 - 1.6 bar			
	0 - 2.5 bar	0 -	30 psi	
	0 - 4 bar	0 -	60 psi	
	0 - 6 bar	0 -	100 psi	e.g. 0 - 6 bar
	0 - 10 bar	0 -	160 psi	
	0 - 16 bar	0 -	200 psi	
		0 -	300 psi	
	0 - 25 bar	0 -	400 psi	
	0 - 40 bar	0 -	600 psi	
	0 - 60 bar	0 -	800 psi	
		0 -	1,000 psi	
	0 - 100 bar	0 -	1,500 psi	
	0 - 160 bar	0 -	2,000 psi	
		0 -	3,000 psi	
	0 - 250 bar	0 -	4,000 psi	
		0 -	5,000 psi	
	0 - 400 bar	0 -	6,000 psi	
	0 - 600 bar	0 -	10,000 psi	
	0 - 1000 bar	0 -	15,000 psi	
Process connection:	standard thread	G ½ B		G ½ B
	options	½" NPT		½" NPT
		M20x1.5		M 20x1.5
Options:	stationary red pointer movement	on the dial		
	blow-out device	stainless steel for type - 1 (for - 3 standard)		
		Ø 1" (25 mm) in back of the case		
	restrictor screw in the pressure inlet port,			
	material: like process connection stainless steel or brass			
Example:				RQS 96 - 3, 0 - 6 bar, G ½ B